

DESCRIPTION

AMC MODEL SWN-218-2DR-STANDARD OPTION: 0910, HPR22DBM, B02 IS A HIGH POWER REFLECTIVE SINGLE POLE TWO THROW SWITCH DESIGNED TO OPERATE BETWEEN TO 0.9 TO 10 GHz FREQUENCY RANGE.

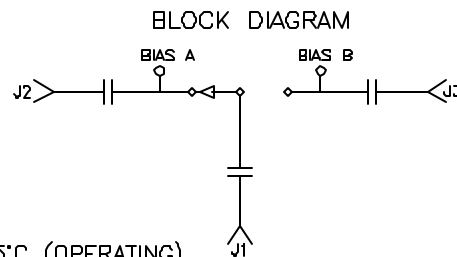
SPECIFICATIONS

- FREQUENCY RANGE:0.9 TO 10 GHz
 - INSERTION LOSS:1.5 dB MAXIMUM
 - ISOLATION:50 dB MINIMUM
 - VSWR:2.0:1
 - RISE TIME:10 nSec TYPICAL, 15 nSec MAXIMUM
 - FALL TIME:10 nSec TYPICAL, 15 nSec MAXIMUM
 - DELAY ON:75 nSec TYPICAL, 100 nSec MAXIMUM
 - DELAY OFF:75 nSec TYPICAL, 100 nSec MAXIMUM
 - POWER INPUT:(CW)+20 dBm (STANDARD), +10 dBm (HIGH SPEED)
 - SURVIVAL POWER:1 WATT CW, 10 WATTS PEAK 1 uSec
 - CONTROL:TTL LOGIC "0" = J1-J2 ON
TTL LOGIC "1" = J1-J3 ON
 - POWER SUPPLY:+5V @ 100 mA MAXIMUM
-15V @ 75 mA MAXIMUM
 - CONNECTORS:
RF:SMA FEMALE
CONTROL:SOLDER PIN
 - SIZE:1.20" (L) x 1.00" (W) x 0.50" (H)
 - WEIGHT:1.5 OUNCE TYPICAL
- OPTIONS:**
- 0910:0.9 TO 10 GHz FREQUENCY RANGE
 - HPR22DBM:HIGH POWER OF 22 dBm
 - B02:-15 VOLT SUPPLY

ENVIRONMENTAL RATINGS:

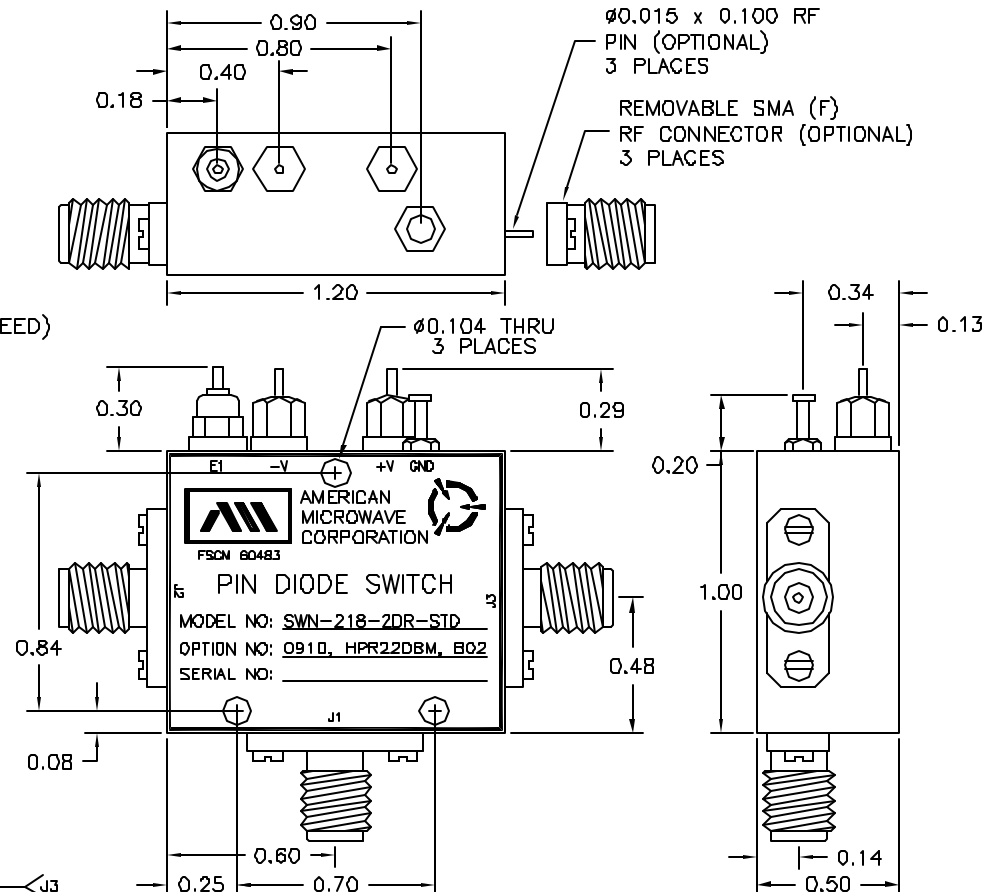
- TEMPERATURE:-55°C TO +85°C (OPERATING)
-65°C TO +125°C (STORAGE)
- HUMIDITY:MIL-STD-202F, METHOD 103B COND. B
- SHOCK:MIL-STD-202F, METHOD 213B COND. B
- VIBRATION:MIL-STD-202F, METHOD 204D COND. B
- ALTITUDE:MIL-STD-202F, METHOD 105C COND. B
- TEMPERATURE CYCLE:MIL-STD-202F, METHOD 107D COND. A

NOTE: SPECIFICATIONS WILL VARY OVER OPERATING TEMPERATURE
NOTE: THE ABOVE SPECIFICATIONS ARE SUBJECT TO CHANGE OR REVISION



ALL DIMENSIONS ARE IN INCHES
TOLERANCES:
X.XX ±0.020
X.XXX ±0.010

REVISIONS				
ZONE	REV.	DESCRIPTION	DATE	APPROVED
	-	ORIGINAL RELEASE JOB# 503092N-1	4/27/05	



AMERICAN MICROWAVE CORPORATION

7311-G GROVE ROAD
FREDERICK, MARYLAND 21704 USA
TEL: 301-662-4700 FAX: 301-662-4938
WEBSITE: www.americanmicrowavecorp.com
E-MAIL: sales@americanmicrowavecorp.com
ISO 9001:2000 CERTIFIED

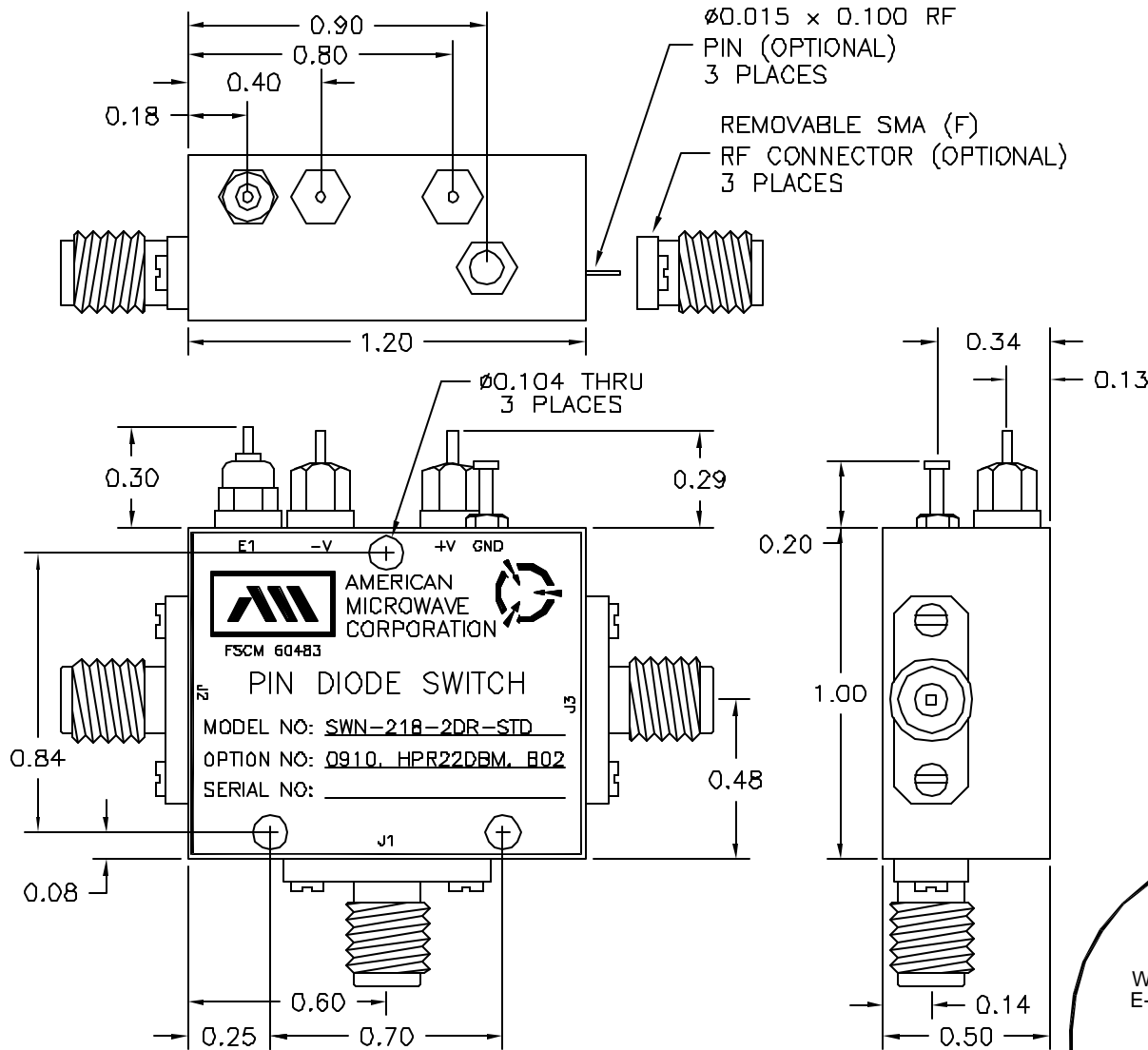


APPROVALS		DATE	TITLE		
DRAWN <i>JDS</i>		4/27/05	PRODUCT FEATURE		
CHECKED			SWN-218-2DR-STANDARD		
ISSUED			OPTION: 0910, HPR22DBM, B02		
			0.9-10 GHz, SINGLE POLE TWO THROW SWITCH		
SIZE	FSCM NO.	DWG NO.	REV.		
A	60483	100-7427	-		
SCALE N:S			SHEET 1 OF 3		

DESCRIPTION

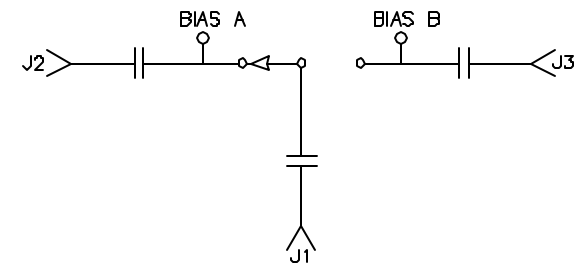
AMC MODEL SWN-218-2DR-STANDARD OPTION: 0910, HPR22DBM, B02 IS A HIGH POWER REFLECTIVE SINGLE POLE TWO THROW SWITCH DESIGNED TO OPERATE BETWEEN TO 0.9 TO 10 GHz FREQUENCY RANGE.

REVISIONS				
ZONE	REV.	DESCRIPTION	DATE	APPROVED
	-	ORIGINAL RELEASE JOB# 503092N-1	4/27/08	



MECHANICAL OUTLINE

BLOCK DIAGRAM



AMERICAN MICROWAVE CORPORATION

7311-G GROVE ROAD
 FREDERICK, MARYLAND 21704 USA
 TEL: 301-662-4700 FAX: 301-662-4938
 WEBSITE: www.americanmicrowavecorp.com
 E-MAIL: sales@americanmicrowavecorp.com
 ISO 9001:2000 CERTIFIED



ALL DIMENSIONS ARE IN INCHES
 TOLERANCES:
 X.XX ±0.020
 X.XXX ±0.010

APPROVALS		DATE	TITLE		
DRAWN <i>JDS</i>		4/27/08	MECHANICAL OUTLINE SWN-218-2DR-STANDARD OPTION: 0910, HPR22DBM, B02 0.9-10 GHz, SINGLE POLE TWO THROW SWITCH		
CHECKED			SIZE A	FSCM NO. 60483	DWG NO. 100-7427
ISSUED			SCALE N:S	SHEET 2 OF 3	